

Model: Sunseeker Elite X3 Gen2

Art no. 90070271

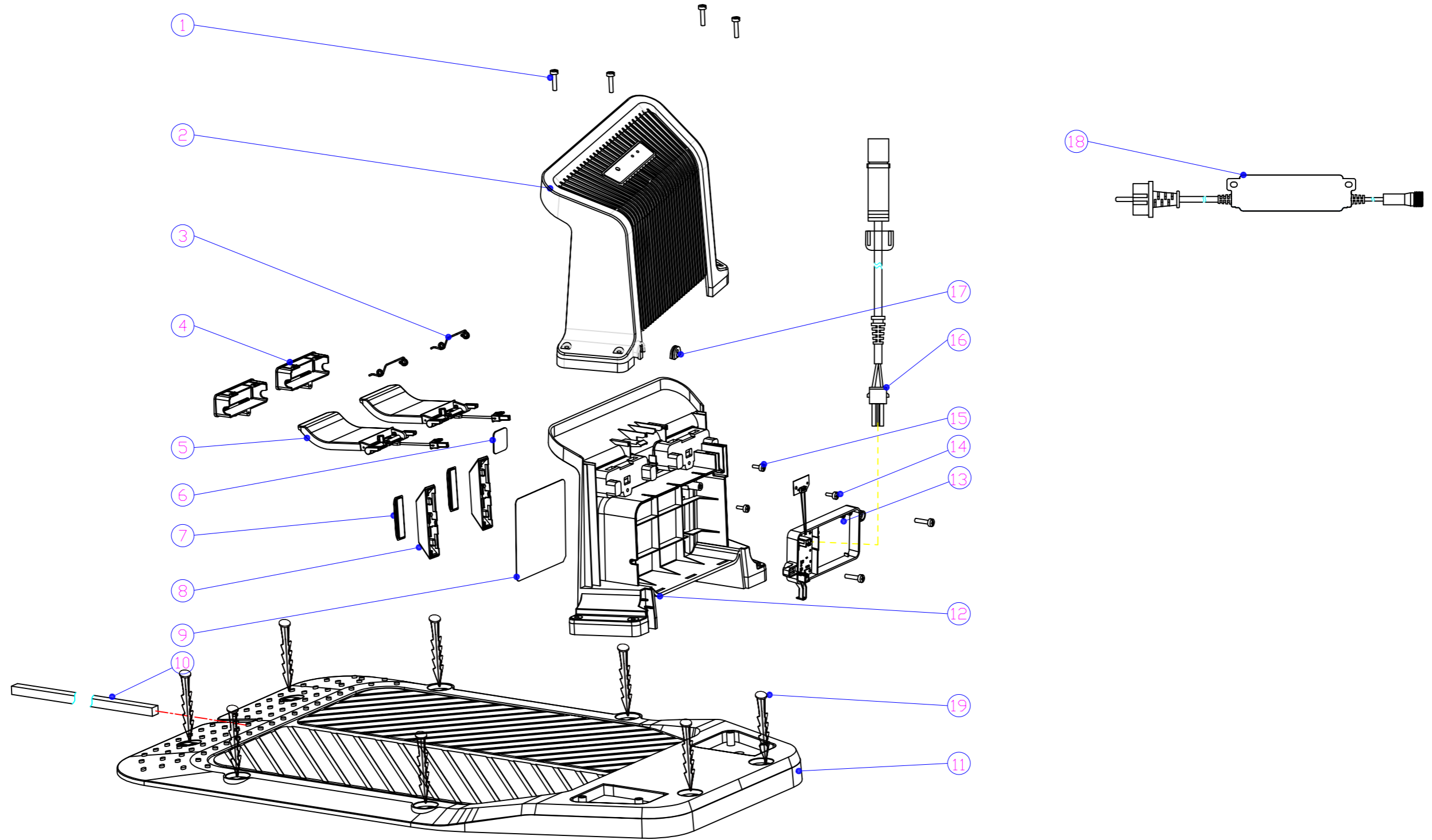
Year: 2026



POS	QTY	PARTNUMBER	BESKRIVELSE	DESCRIPTION
1	1	456554	X3 GEN2 TOP COVER	DECORATIVE COVER ASSEMBLY
2	1	454849	FLIP COVER	FLIP COVER ASSEMBLY
3	2	454850	PLADE	FLIP COVER PRESSURE PLATE
4	2	454851	DÆMPER	DAMPER
5	1	456413	TOPDÆKSEL	TOP COVER COMPONENT
6	1	456414	KAMERAMODUL	CAMERA MODULE
7	1	454857	FORSEGLING	MAIN CAVITY SEAL RING
8	2	454847	BESLAG	KNOB SHRAPNEL
9	1	454367	HJULKAPSEL VENSTRE X5/X3	LEFT WHEEL COVER
10	1	456415	VENSTRE HJUL	LEFT WHEEL
11	2	453648	LÅSEMØTRIK	M6-NON-METALLIC INSERT LOC NU
12	2	448954	SKIVE ELASTISK	ELASTIC WASHER 6
13	2	454366	SKIVE	FLAT PAD ?6.4X?30X2
14	3	448997	SENSORPLADE	SENSOR PRESSING PLATE
15	2	454869	SENSOR	COLLISION SENSOR BOARD
16	1	454411	KLEMME	GEOMAGNETIC PLATE CLAMP
17	1	456416	HOVEDPRINTKORT	MAINBOARD
18	1	454335	SENSOR PANEL	GEOMAGNETIC SENSOR PANEL
19	1	454858	PAKNING	SCREW GASKET
20	1	456417	KERNEALGORITME PRINTKORT	CORE ALGORITHM BOAR PRINTKORT
21	1	456418	MONTERINGSBESLAG TIL KERNEPRINT	CORE BOARD INSTALLATION BRACK
22	2	449004	HOLDER FOR BATTERI	BATTERY HOLDER
23	1	448957	USB PORT	USB BOARD
24	1	449002	BATTERI	BATTERY PACK (SAMSUNG)
25	1	454866	COVER BATTERI	BATTERY PACK COVER
26	1	454867	TÆTNINGSRING	BATTERY PACK COVER SEALING RIN
27	1	454868	KOFANGER X3	ANTI-COLLISION ASSEMBLY
28	3	454354	SVINGARM	SWING ROD
29	39	456411	SKRUE (5 STK)	SCREW (5 PCS)
30	1	456419	SKÆREKOMPONENTER	CUTTING COMPONENTS
31	1	454865	KNIVHOLDER SKJOLD	CUTTING DISC SHIELD
32	1	456422	3-BLADET 200 SKIVE SAMLING	3 BLADE 200 DISC ASSEMBLY
33	3	456423	SKRUE	SCREW
34	1	456424	LILLE KNIVSKIVE KOMPONENT	SMALL KNIFE DISK COMPONENT
35	1	456427	DRIVSAMLING	DRIVE ASSEMBLY
36	1	456429	HØJRE HJUL	RIGHT WHEEL
37	1	454352	HJULKAPSEL HØJRE X5/X3	RIGHT WHEEL COVER
38	1	456430	KØLEPROFIL (HEAT SINK)	HEAT SINK
39	1	456431	TÆTNINGSRING TIL KØLEPLADE	COOLING PLATE SEALING RING
40	1	454331	TERMISK PLADE	THERMAL CONDUCTIVE PHASE CHANG
41	1	456432	DÆKSEL TIL GPS-MODUL	GPS MODULE COVER

POS	QTY	PARTNUMBER	BESKRIVELSE	DESCRIPTION
42	1	456433	BAGESTE KOLLISIONSDÆKSEL	REAR COLLISION COVER
43	1	456434	GPS TÆTNINGSRING	GPS SEALING RING
44	1	90070256	4G MODUL (2026)	
45	1	454843	HÅNDTAG	HANDLE
46	1	456435	KRYDSNOTS LINSEHOVEDSKRUE	CROSS GROOVE PAN HEAD SCREW
47	1	456436	LEDNINGSNET TIL LILLE KNIVSKIVE	SMALL KNIFE DISC CUTTING WIRE
48	2	456437	FORHJULSSAMLING	FRONT WHEEL ASSEMBLY
49	2	454347	LØFTESENSOR	LIFT SENSOR PLATE
50	9	448958	SKRUE (5 STK)	SCREW (SUS304) (5 PCS)
51	5	454336	SKRUE (5 STK)	SCREW (5 PCS)
52	5	456438	BUNDKASSE	BOTTOM CASE
53	1	454856	TÆTNINGSRING	MAIN CHAMBER SEAL RING 2
54	1	454848	HUS HØJDEJUSTERING	EUROPEAN KNOB SEAT
55	1	454846	PLADE	HEIGHT SIGN PLATE (EU VERSION)
56	1	454845	HØJDEJUSTERING	KNOB COVER
57	1	454416	TÆTNINGSRING KAMERA	CAMERA SEALING RING
58	1	456439	4G MODUL KOMMUNIKATIONSLEDNINGS NET	4G MODULE COMMUNICATION HARNES
59	1	456440	LEDNINGSNET FRA HOVEDPRINT TIL BATTERI	MAINBOARD TO BATTERY WIRING H
60	1	453633	LEDNING	WIRING HARNESSSES
61	1	454369	BUNDKORT LEDNINGSNET	MAINBOARD-ALGORITHM BOARD COMM
62	1	454370	STRØM LEDNINGSNET	MAINBOARD-ALGORITHM BOARD POWE
63	1	454373	ALGORITME 5V LEDNINGSNET	ALGORITHM BOARD 5V OUTPUT HARN
64	1	454372	GEOMAGNETISK LEDNINGSNET	GEOMAGNETIC PLATE CONNECTION H
65	1	454375	KOLLISION LEDNINGSNET	COLLISION SENSOR WIRING HARNES
66	1	454872	LEDNINGSNET	MAIN BOARD CONNECTION LIFT SEN
67	1	456441	FPC-KABEL	FPC CABLE
68	3	454417	MAGNET	MAGNETIC RING
69	1	454871	LEDNINGS MODUL OPLADNING	CHARGING WIRE HARNESS MODULE
70	4	448855	STRIPS (4 STK)	CABLE TIE (4 PCS.)
5,1	1	456412	MOBIL BASESTATION INTEGRERET ANTENNE FM25I	MOBILE BASE STATION INTEGRATED
5,2	1	454393	PRINTPLADE DISPLAY	DISPLAY BOARD PCBA
30.1	2	456420	TRÆKFJEDER (NATURFARVE)	TENSION SPRING \ NATURAL COLOR
31.2	1	456421	VANDTÆT ÅNDBAR MEMBRAN	WATERPROOF BREATHABLE MEMBRA
32.1	1	453656	KNIVHOLDER	CUTTING DISC
32.2	3	454361	KNIVE (6 STK)	BLADE (6 PCS)

POS	QTY	PARTNUMBER	BESKRIVELSE	DESCRIPTION
32.3	3	448982	KNIVSKRUE (6 STK.)	SCREW FOR BLADE (6 PCS.)
34.1	1	456425	LILLE KNIVSKIVE	SMALL KNIFE DISK
34.2	1	456426	DEKORATIVT DÆKSEL TIL LILLE KNIVBLAD	SMALL BLADE DECORATIVE COVER
35.1	1	456428	BØRSTELØS ELMOTOR	BRUSHLESS ELECTRIC MACHINE



POS	QTY	PARTNUMBER	BESKRIVELSE	DESCRIPTION
1	39	456411	SKRUE (5 STK)	SCREW (5 PCS)
2	1	454879	COVER	CHARGING STATION REAR COVER
3	2	454880	FJEDER	TWINS TORSIONAL SPRING
4	2	454881	BESLAG	MOUNTING BRACKET
5	2	454882	KONTAKTPLADE OPLADNING	CHARGING PILE CONTACT PLATE AS
6	1	448967	LYSPANEL	INDICATOR LIGHT PANEL
7	1	456442	STØDPUDE	CUSHION
8	1	456443	BESLAG TIL LADESTATION STØDPUDE	CHARGING STATION CUSHION BRACK
9	1	454420	QR KODE	CHARGING STATION QR CODE
11	1	454885	BUNDPLADE	
12	1	456444	SÆDE TIL LADESTATION	CHARGING STATION SEAT
13	1	456445	OPLADNINGSPRINT SAMLING	CHARGING BOARD ASSEMBLY
14	2	454333	SKRUE (5 STK)	SCREW (5 PCS)
15	9	448958	SKRUE (5 STK)	SCREW (SUS304) (5 PCS)
16	1	451164	KABEL 8M	POWER SUPPLY CABLE 8M
17	1	456446	STRØMSTIK	POWER CORD PLUG
18	1	456447	OPLADER	CHARGER
19	8	454387	PLASTPLØKKER (8 STK.) TIL LADESTATION	CHARGING STATION NAILS (8 PCS)